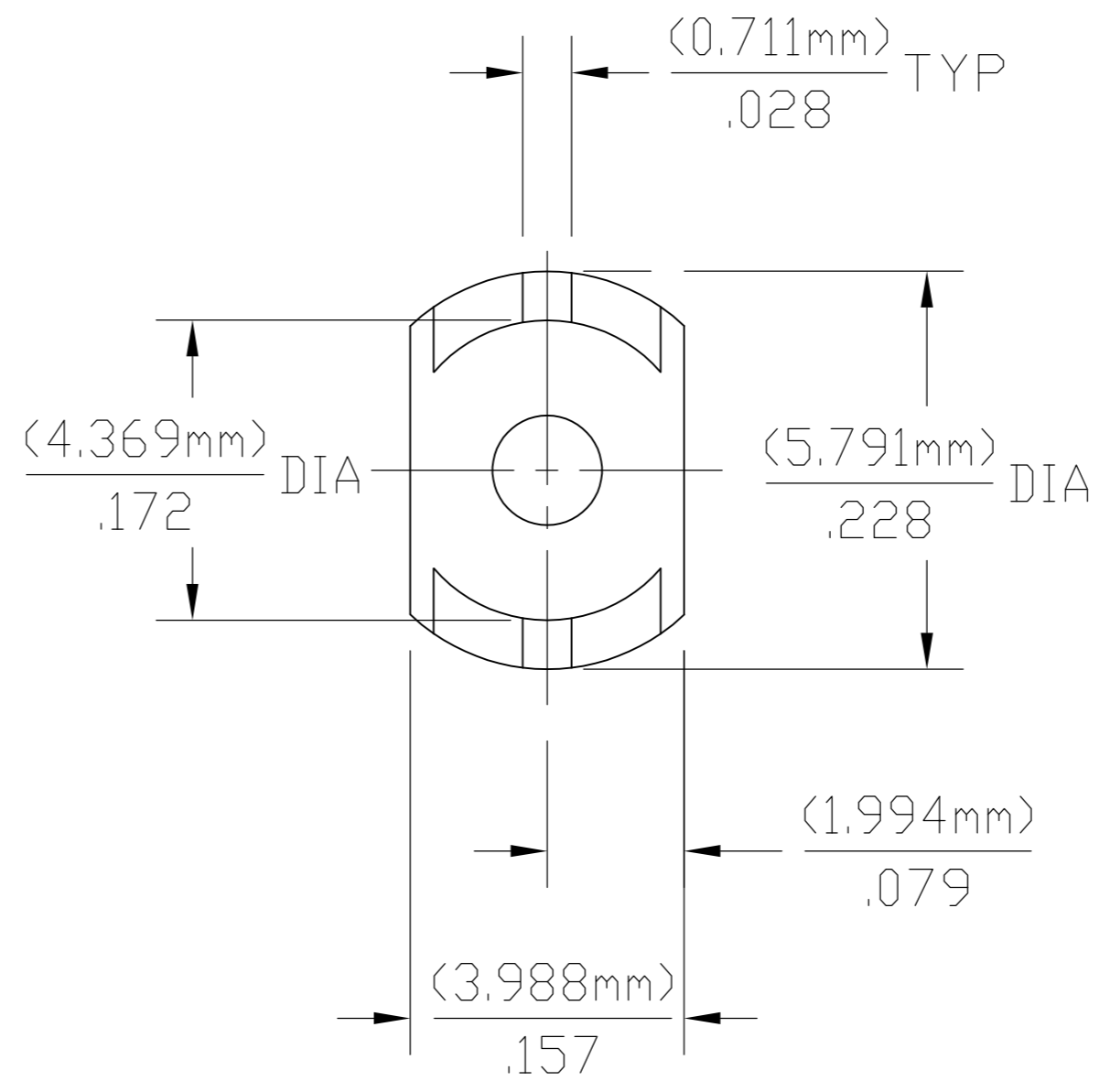
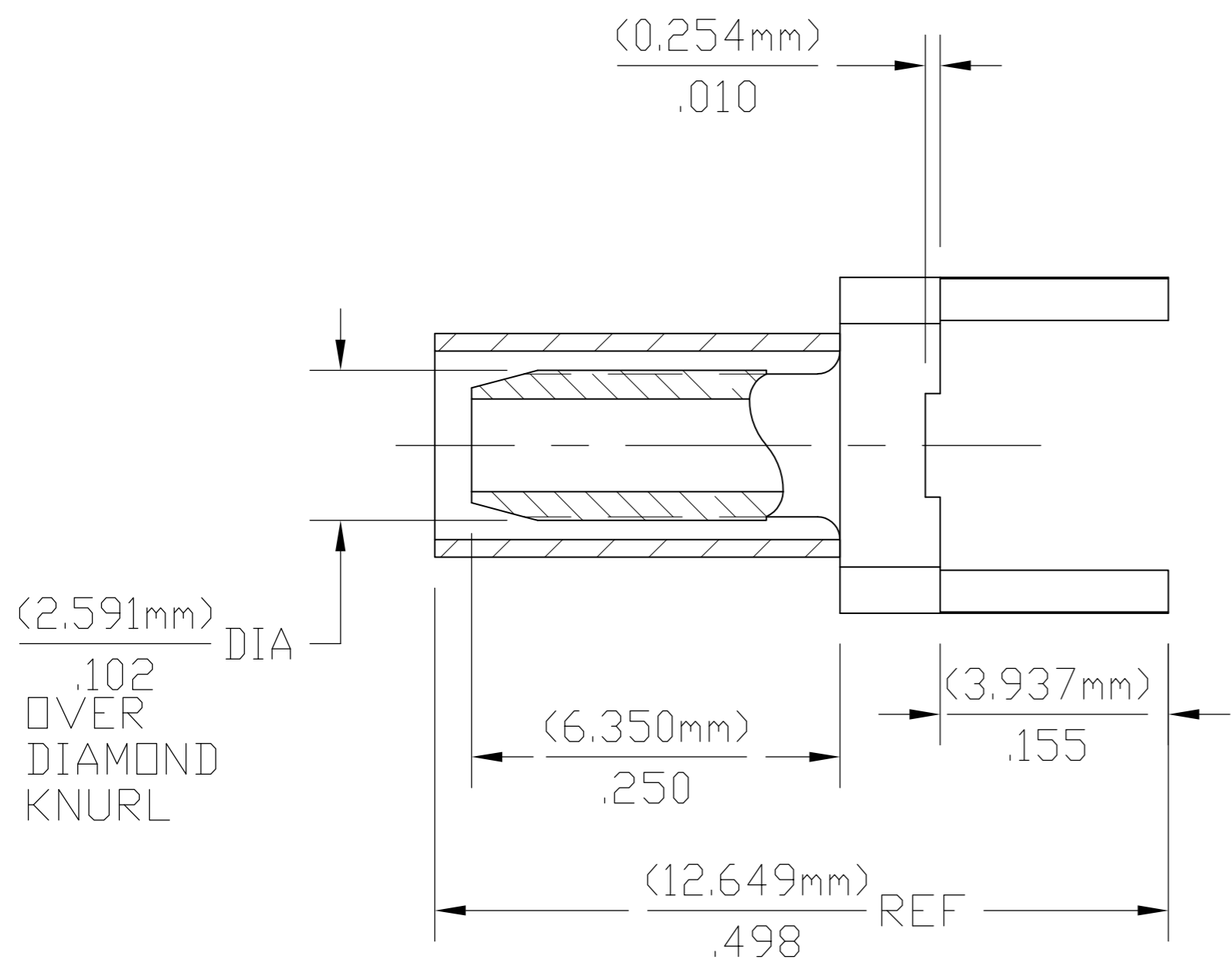


THIS DRAWING IS UNPUBLISHED. RELEASED FOR PUBLICATION
 © COPYRIGHT - By - ALL RIGHTS RESERVED.

LOC		DIST		REVISIONS			
P	LTR	DESCRIPTION	DATE	DWN	APVD		
	C	REVISED PER ECO-12-017392	6/14/2013	G.G	M.Y		



NOTES:

- DESIGNED FOR USE WITH RG 316 & 188 CABLE
- MATERIAL:
HOUSING: BRASS PER QQ-B-626 COMP. 360
FERRULE: SOFT COPPER ALLOY

ELECTRICAL	MECHANICAL	ENVIRONMENTAL
Nominal Impedance (Ohms) <u>50</u>		Temperature Rating <u>-65°C TO 165°C</u>
Frequency Range (GHz) <u>DC TO 4.0</u>		Vibration <u>MIL-STD-202, Method 204,</u>
(VRMS MAX) <u>335 @ Sea level</u>		<u>Condition B</u>
Insertion Loss <u>.1dB x FGHz</u>		Thermal shock <u>MIL-STD-202, Method 102,</u>
Corona, 70,000 Ft (VRMS MIN) <u>250</u>		<u>Condition C</u>
D.W.V. (VRMS MIN) <u>1000</u>		Moisture Resistance <u>MIL-STD-202, Method 106D,</u>
Outer Contact (Milliohms MAX) <u>1.0</u>		<u>10 cycles 24 hours</u>
Cable To Housing (Milliohms MAX) <u>1.0</u>		Corrosion <u>MIL-STD-202,</u>
(VRMS MIN @ 5 MHz) <u>670</u>		<u>Method 101, Condition B</u>
I.R. (Megohms Min) <u>10,000</u>		

CABLE ENTRY DIAMETER MINIMUM	
HOUSING	.062(1.575mm)
FERRULE	.125(3.175mm)

1060811-2	GOLD PLATE PER MIL-G-45204
1060811-1	NICKEL PLATE PER QQ-N-290
PART NUMBER	FINISH

THIS DRAWING IS A CONTROLLED DOCUMENT.		DWN K.C.MAHER 10-20-90	STE TE Connectivity	
DIMENSIONS: INCHES		CHK M.Y. 10-22-90		
TOLERANCES UNLESS OTHERWISE SPECIFIED:		APVD M.Y. 10-22-90	NAME OSX CABLE PLUG CRIMP ATTACHMENT 5818-5002-10	
0 PLC ± -		PRODUCT SPEC	SIZE CAGE CODE DRAWING NO	
1 PLC ± -		APPLICATION SPEC	RESTRICTED TO	
2 PLC ± -		408-04638	A2 00779 C=1060811	
3 PLC ± .005		WEIGHT	SCALE 6:1 SHEET 1 of 1 REV C	
4 PLC ± -		CUSTOMER DRAWING		
ANGLES ± 1°				
FINISH				

1060811